

# Solar Panels

## Apparatus

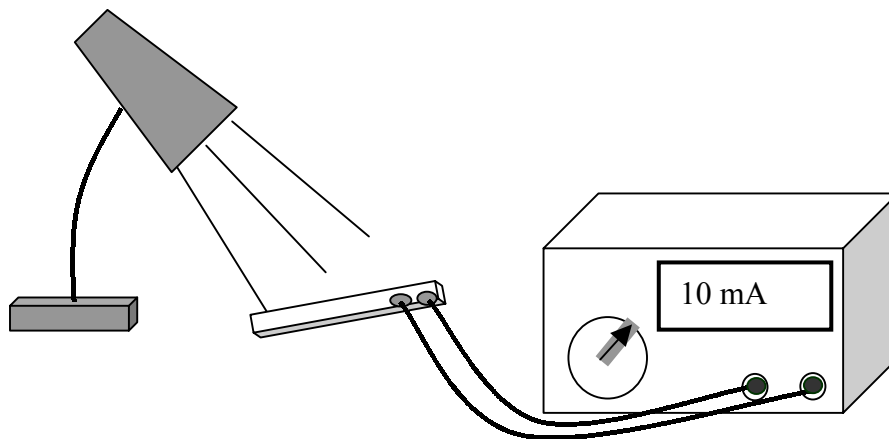
solar panel, ammeter and/or voltmeter, light source

## Action

The students hold the cell under the light, and vary the intensity to see what effect there is on the output from the cell.

## The Physics

The electrons absorb energy (light), allowing them to jump across the band gap, and cause a current to flow. The current is proportional to the light intensity.



## Accompanying sheet:

### Solar Panels

Examine the solar panel.

How does it use photons to produce an electric current?

How is this similar to a diode?

How is it different?